

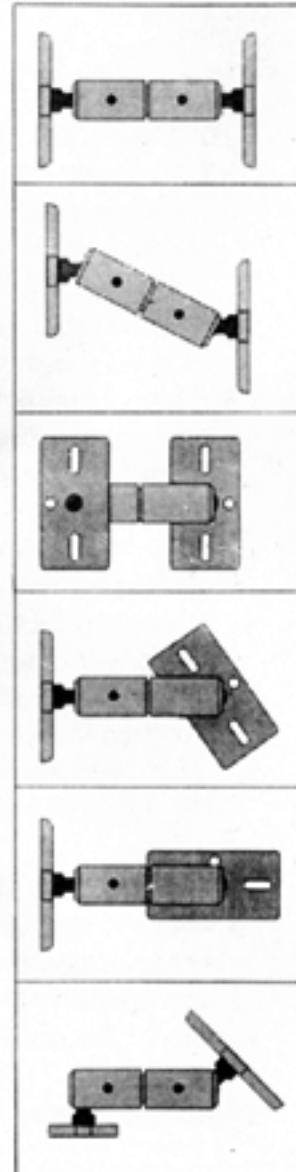
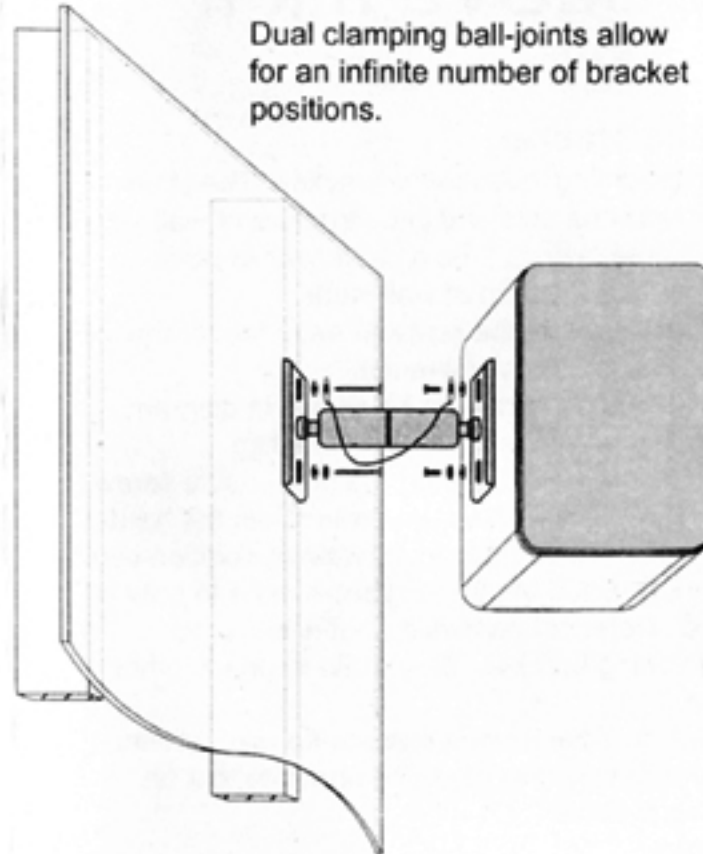
SE-DBLSVL mk II

Double Swivel Bracket

Parts list for SE-DBLSVL mk II bracket (Quantities are for bracket pairs)

Qty	Item	Description
2	Bracket Assemblies	Fully assembled with 5/16" long, 5/16" diameter, 24 TPI set-screw
2	Safety Cables	Stainless steel cable with crimped loops and attachment ring at each end
4	Mounting Screws Wall	2" long stainless steel screw for wood
4	Mounting Screws Speaker	3/4" long, 1/4" diameter, 20 TPI, stainless steel machine screw
12	Nylon Washers	1.5mm thick nylon washer
8	Stainless Washers	
1	5/32" Hex Wrench	Wrench (fits all bracket screws)
1	Instruction Manual	

Dual clamping ball-joints allow for an infinite number of bracket positions.



Features and Specifications

Double Swivels (For Maximum Positioning Flexibility)

Heavy Duty

Rust Resistant Design

10 Pound Weight Limit (8 ftlbs torque)

Includes Safety Cable & Stainless Mounting Hardware

SE-DBLSVL mk II

Installation of the bracket:

- Locate the proper mounting location for bracket. The stainless wood screws **must** be screwed into structure of wall — **Do not** attach to drywall alone. Use a studfinder or other tool/technique to find the location of wall studs.
- Prior to mounting, ensure that the screw in each foot of the bracket is tight using supplied hex wrench.
- Screw bracket to wall using hardware as shown in diagram on opposite page. Be certain to attach safety strap.
- Mount the speaker to the bracket using the proper size screw for your speaker. (Two screw sizes are provided in the hardware bag.) Moving the bracket into a convenient position can make this task easier. Snug the four (4) set-screws to hold in temporary position. Note: set-screws do not need to be loose when repositioning bracket. Be certain to attach other end of safety strap.
- Position the speaker and tighten the four set-screws by alternately tightening one screw, then the one opposite to it on the other side of the cylinder.

Routing the wire:

- There is a hole provided in each mounting plate where the speaker wire can be passed if applicable. Between the wall and speaker, the wire can be bent to hide behind the structure of the bracket.

Parts list located on the back cover.

