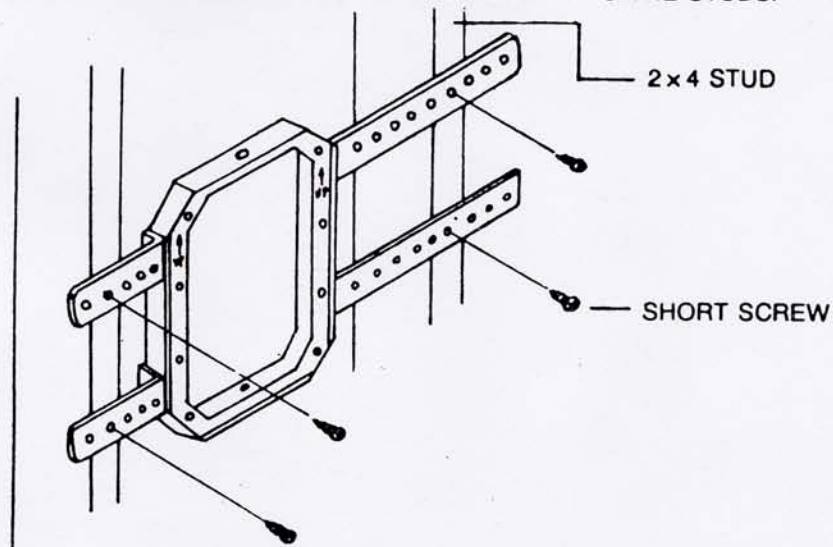
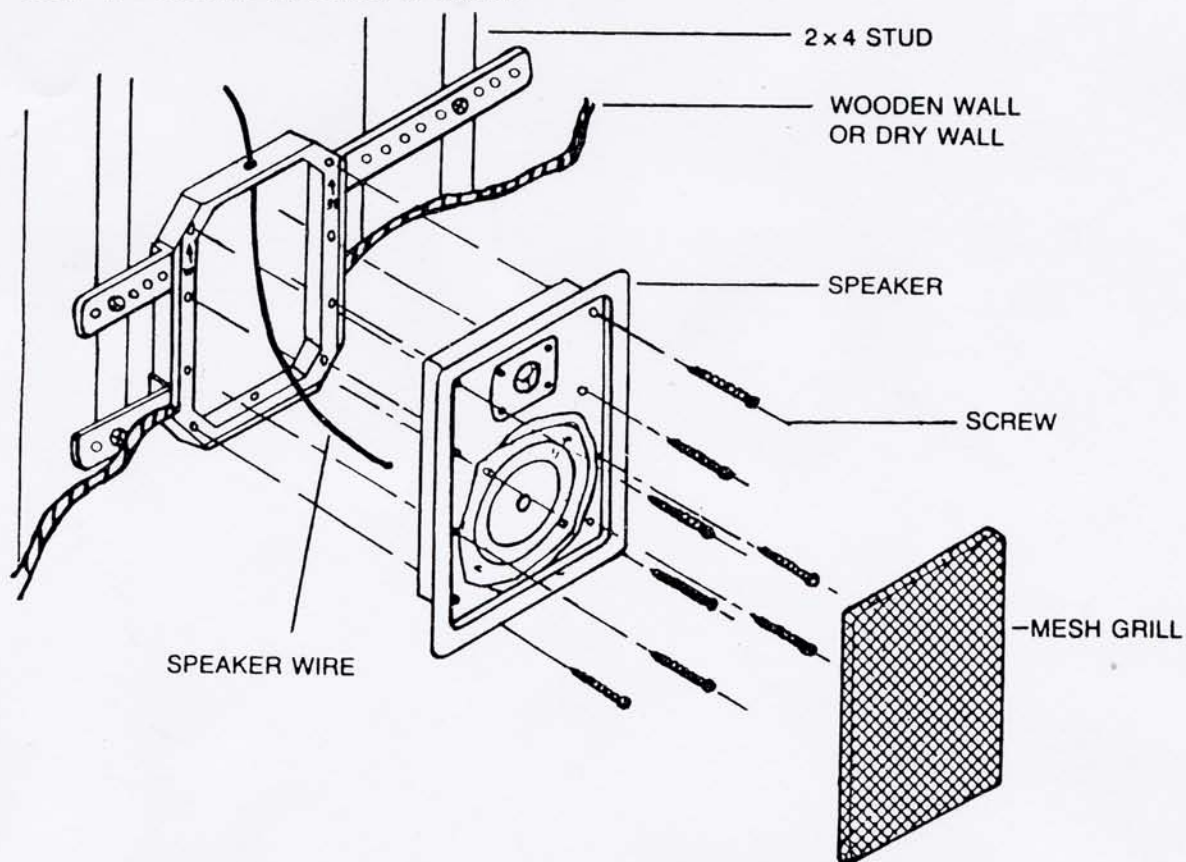


STEP 3. ADJUST THE CENTER FRAME PIECE WITH METAL BARS BETWEEN 2x4 STUDS IN THE WALL AND SCREW THE METAL BARS TO THE STUDS.

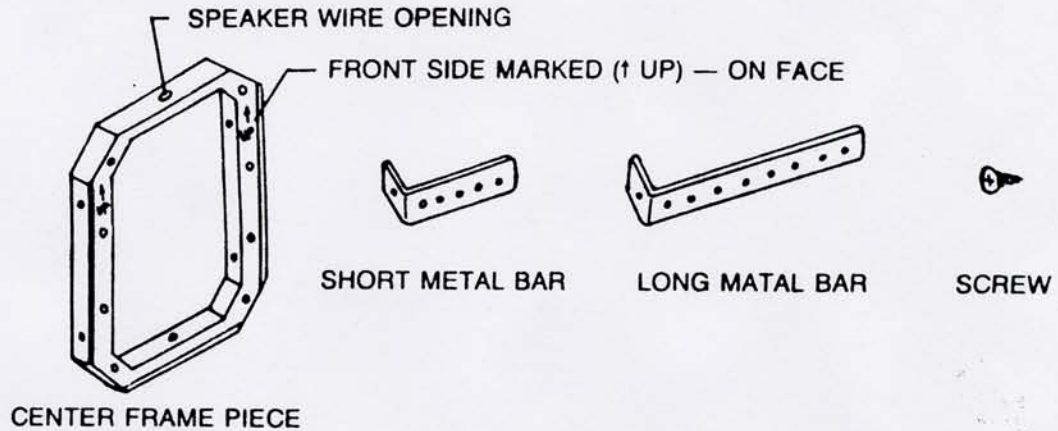


STEP 4. INSTALL THE WALL SPEAKER.

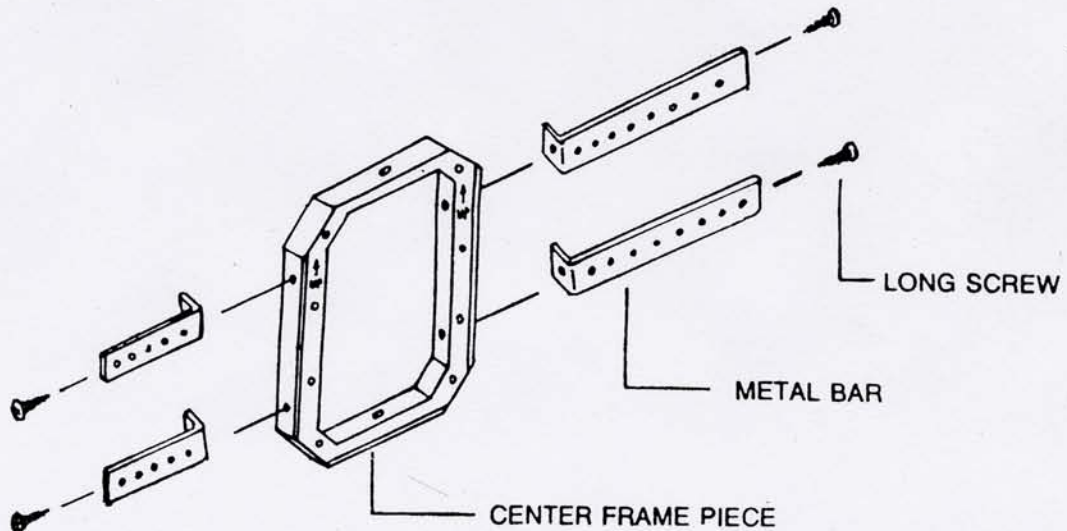


INSTRUCTION FOR INSTALLING ROUGH-IN-KIT

- STEP 1. PLEASE CHECK THAT THERE ARE 2 PIECES OF PLASTIC FRAMES (CENTER PIECES), 4 PIECES OF SHORT METAL BARS, 4 PIECES OF LONG METAL BARS AND 16 PIECES OF SCREWS IN ONE COMPLETE SET OF ROUGH-IN-KIT.



- STEP 2. STABLE THE METAL BARS WITH THE CENTER FRAME PIECE USING THE LONG SCREWS.



(OVER)