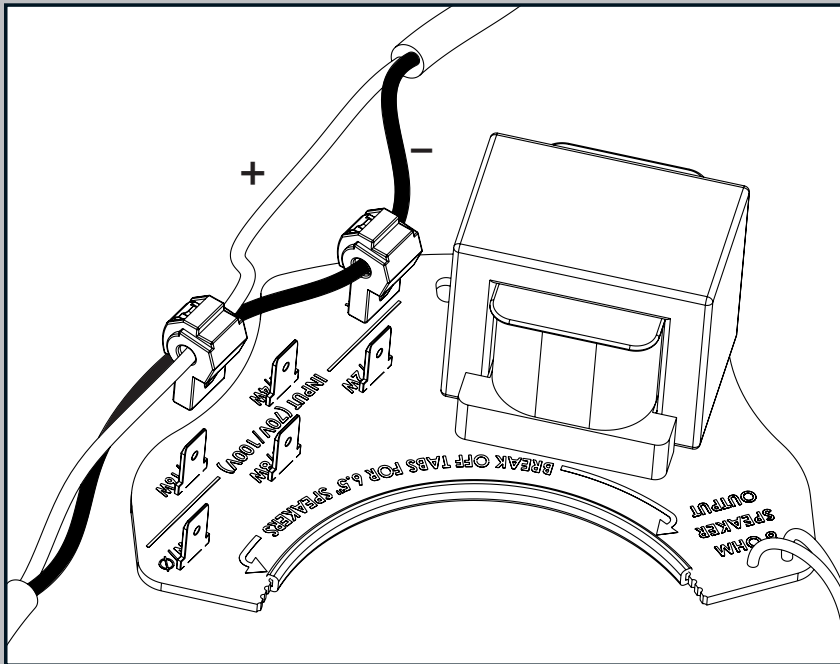


WIRING GUIDE: 70V/100V Transformer & PCB Combo



Making the Connections:

Using the recommended Connector: 3M™ Scotchlok™ 952K or equivalent, clamp the connectors onto the wires following the manufacturer's instructions and slide the T-tap connectors onto the applicable terminals as shown in the diagram to the left. Keep in mind that the negative (-) wire will go to the "COM" terminal. The positive wire (+) will go to the terminal that best suits your 70V or 100V installation.