

USER GUIDE

iPod / iPhone / iPad
 Docking Station with
 Apple® 30-pin Connector
 MODEL: **MS-D1**

Features:

Compatible with Apple iPod, iPhone, and iPads with 30-pin connectors. Also compatible with the latest generation iPods and iPhones with the use of a lightning adapter.

Play Audio and Video files or view pictures when connected to an AV entertainment system

Sync when connected to a computer using the supplied USB cable

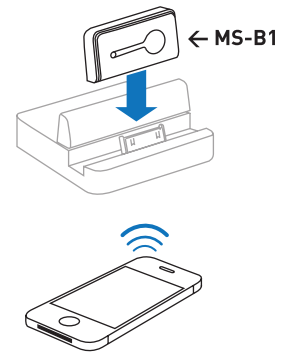
Charge with the included AC adapter or from charge-capable USB jacks

3.5mm Stereo Audio and Composite Video output jack

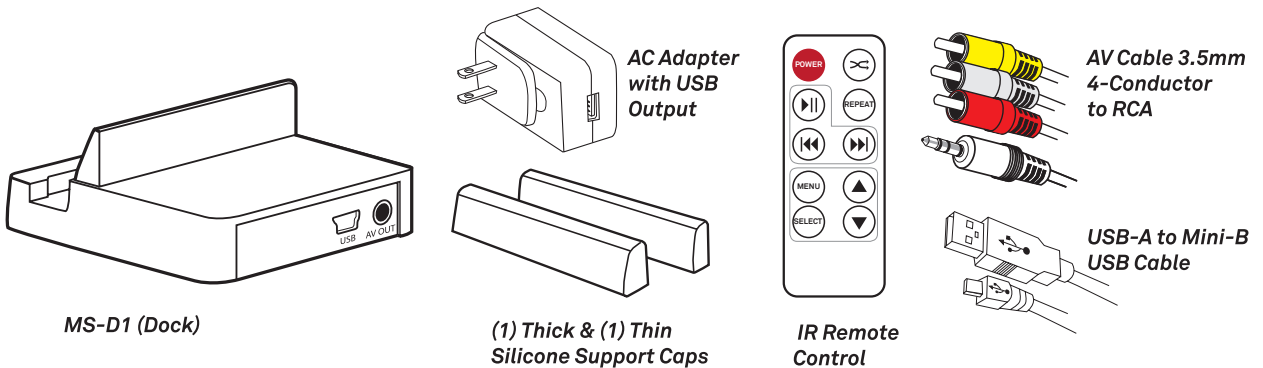
Mini-B USB Connector

Wireless Infrared Multi-function Remote Control

Use with **MS-B1 Bluetooth® receiver** for wireless playback from Bluetooth capable electronics



What is in the Box:



Using the MS-D1 Docking Station:

Place the MS-D1 on a flat level surface.

The MS-D1 is shipped with two silicone rubber support caps, one thick and the other thin. Select and install the desired cap by slipping it over the support member with the angled face forward. The iPhone4, iPad2, and iPods use the thick silicone cap. All earlier iPhones and iPads use the thin silicone cap. It may be necessary to use the thin silicone cap with devices that have a protective case—Experiment to see which cap works best for your devices.

***Note:** It is important to use the support caps for iPads. iPods and iPhones can be used without them if necessary.

Connection to an Audio / Video System

The MS-D1 dock can be connected to an audio/video system or to a computer. To connect the dock to an audio video system, use the supplied AV cable. The Yellow RCA connector is the Composite Video Output from the dock. The Red RCA connector is the Right Audio Output channel. The White RCA connector is the Left Audio Output channel. These three connectors must be connected to the corresponding Inputs of the AV system, which will likely have the same corresponding colors.

If the playback system does not have RCA style inputs then you will need to supply the appropriate cable or adapters. The MS-D1 will accept a 3.5mm 3 or 4-conductor male phone plug. A cable with a 3-conductor plug allows for stereo audio output only (no video). A 4-conductor plug is necessary to output both stereo audio and video.

*Note: 3.5mm plugs are also referred to as 1/8 inch.

The MS-D1 can also be plugged into the USB port of many AV receivers that offer iPod connectivity and support. When connected in this way, the MS-D1 will receive power from the AV receiver and the receiver will see the iPod as if it were connected using a conventional "Sync" cable.

The USB connector on the back of the MS-D1 provides the power for charging the docked device. It is also the connector used to "Sync" files with a computer. To charge the docked device while it is connected to an AV system, connect the USB cable between the dock and the supplied AC adapter and plug the adapter into an active AC outlet. The supplied AC adapter will operate from 100 to 240VAC and can provide up to 2.1 amps of current for charging iPads or any smaller device.

The MS-D1 dock can be used without external power. When no external power is present the iPod, iPhone, or iPad will operate from its internal battery. The IR controls of the MS-D1 will function normally in this arrangement.

Connection to a Computer

Only the USB cable is required for connection to a computer. The USB connection provides both the power for charging and for the transfer of files (syncing). Connection to a computer must be through a USB 2.0 or 3.0 port. File synchronization and playback can be performed using Apple iTunes®. Some files can be accessed through the computer's file system.

Specifications:

Dimensions (WxHxD):

72mm x 28.5mm x 68mm
(2-7/8" x 1-1/4" x 2-5/8")

Net Weight (Dock Only): 156g (5.5oz.)

Connections: 3.5mm 4-Conductor Phone Plug & Mini-B USB

Audio Output (0dB Reference): 830mVrms

Video Output: Composite NTSC 1Vp-p, 75 ohm

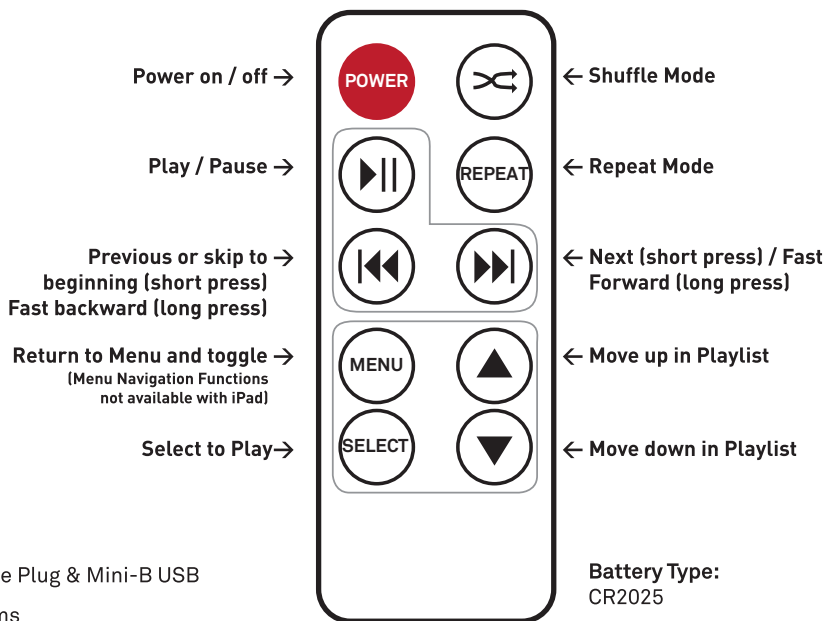
Power Supply

Input power: AC 100-240V (50/60Hz) 0.5A
Output power: 5Vdc, 2.1A max

Warranty:

1 Year Limited Warranty

Remote Control Operation



IR Remote Control

*Remote functions are not available for some devices.



iPod, iPhone and iPod are trademarks of Apple Inc., registered in the U.S. and other countries. The Bluetooth® word mark and logos are registered trademarks of Bluetooth SIG, Inc.

"Made for iPod," "Made for iPhone," and "Made for iPad" mean that an electronic accessory has been designed to connect specifically to iPod, iPhone, or iPad, respectively, and has been certified by the developer to meet Apple performance standards. Apple is not responsible for the operation of this device or its compliance with safety and regulatory standards. Please note that the use of this accessory with iPod, iPhone, or iPad may affect wireless performance.