

Sound Terrain[®]

PLT-525 / PLT-522

5-1/4" High Performance
Outdoor Planter Speakers

Available in:

Classic Gray

PLT-525G

PLT-522G (Single Point
Stereo)



Specifications:

Woofer:	5-1/4" santoprene surround poly woofer
Tweeter:	PLT-525: 3/4" poly / PLT-522: two 3/4" poly tweeters
Impedance:	8 ohms nominal
Grille:	N/A
Power Handling:	40 watts nom. 80 watts max.
Sensitivity:	91dB 1 watt / 1 meter
Frequency Response:	60Hz - 20kHz
Weight:	Sold and Shipped Individually - 17 lbs / each
Dimensions:	13" diameter x 15" high

Description:

Beautiful "God of the Wind" Tuscan style garden planter. Intended for use as an actual planter.

Features:

- ❖ Weatherproof / freeze-proof design for outdoor use.
- ❖ Drain holes provided for healthy plant growth.

Single Point Stereo version:

- ❖ One unit produces both left and right channels.
- ❖ Dual voice coil 5-1/4" woofer.
- ❖ Separate left & right 3/4" poly dome tweeters.



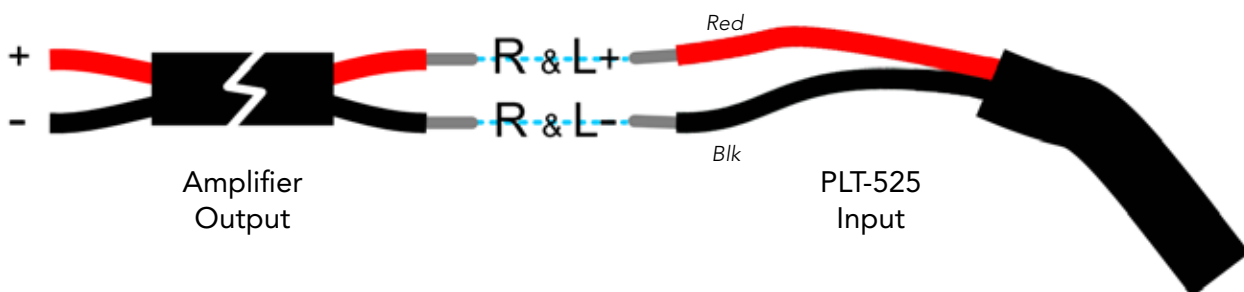
PLT-525 Detail



PLT-525

Single Channel Connection

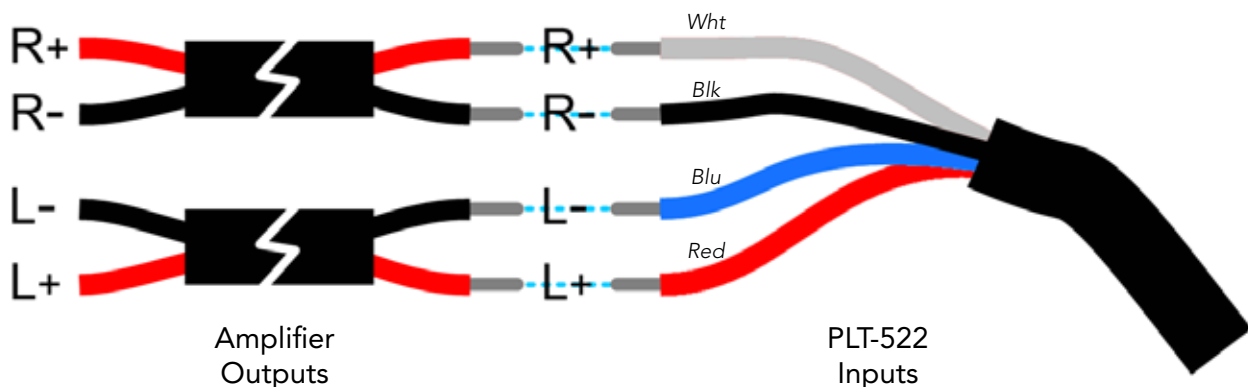
Requires two speakers for stereo reproduction (one for left channel and one for right).



PLT-522

Dual Channel (Stereo) Connection

Requires only one speaker since both channels are combined within the speaker.



Suggestions:

These suggestions will help to increase the longevity of your planter speaker:

Leave your plants in their original pot and place the pot directly into the planter speaker. No transplanting is required.

Place a weed-barrier cloth or mesh screen inside the planter to help prevent clogging of the drain holes.

Place your planter speaker where the speaker will not receive direct water spray.

