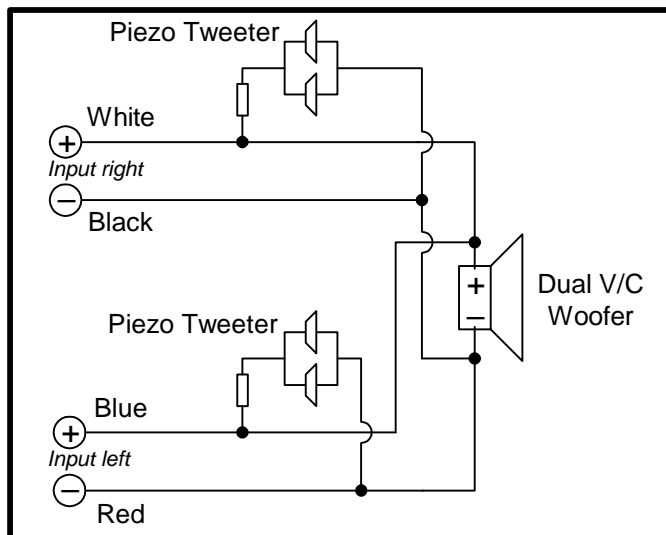
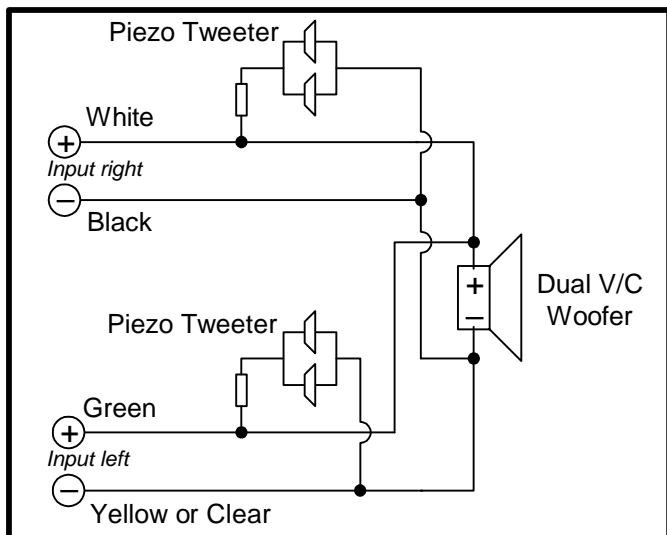


## SS-84 G and S Wiring Diagrams:

There are at least three possible wiring schemes depending on which combination of wire colors the unit was supplied with and when the unit was purchased. If your unit has four tweeters mounted in the metal ring just under the top cover, then you have the older design. The wiring diagram should match one of these two:



If your unit does not have four tweeters mounted to the metal ring and it does have four connection wires, then you have the newer model and the tweeters are behind the black foam where you can't see them. All updated models use this wiring scheme:

### **WIRING DESCRIPTION**

#### ***Left Channel***

White + (pos)

Black - (neg)

#### ***Right Channel***

Red + (pos)

Green - (neg)