

# AW-100WV

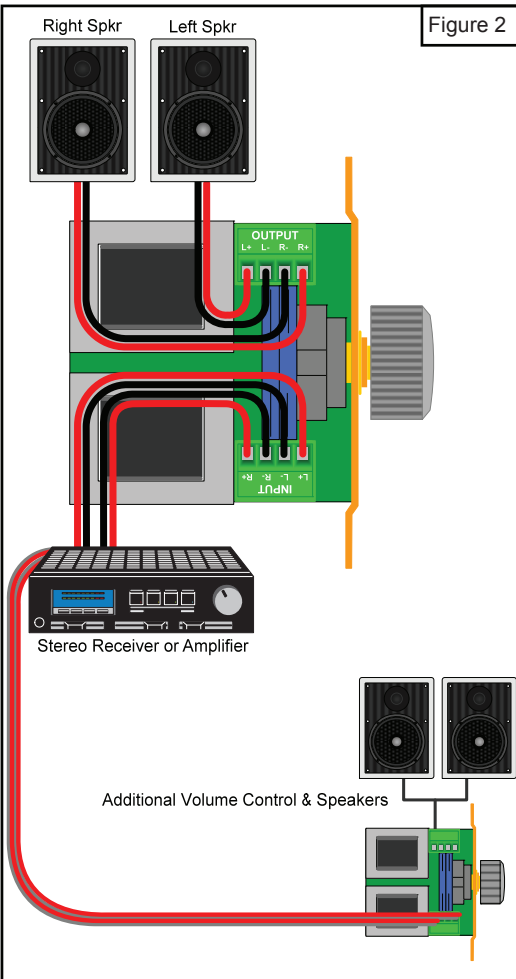
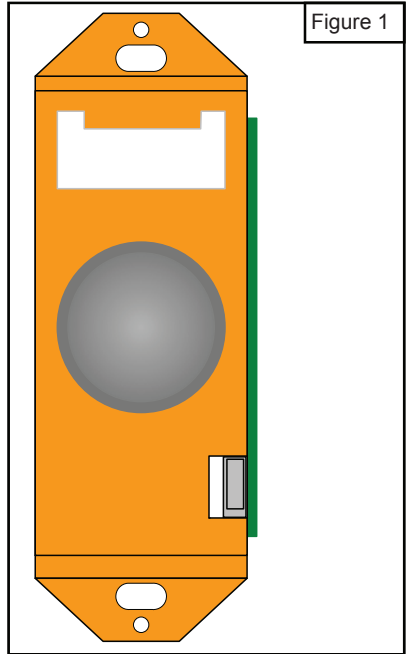
## Volume Control

### Specifications:

- 100 Watts RMS Power Handling per channel
- 12 Volume positions including one Off position

### Features:

- High Efficiency Autoformer Design
- Easy installation with easy-to-read instructions
- Removable Input/Output terminal strip
- Stereo Control (Can be used in Mono Applications.)
- Suitable for residential & commercial applications
- Limited Lifetime Warranty



### Installation

Connect the left & right channel outputs of the amplifier or receiver to the input of the volume control as shown in **Figure 2**. Connect the left & right channel outputs of the volume control to the speaker inputs. Initial testing of the system should be done at low volume settings of both the amplifier and the volume controls.

**\*OEM assumes no liability for damage to any audio or electrical equipment due to improper setup, improper connection, or a volume control malfunction.**

**OEM SYSTEMS COMPANY, INC.**  
[www.oemsystems.com](http://www.oemsystems.com)